



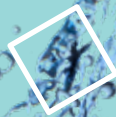
Quench 992

Freestanding Commercial Capacity Ice Dispenser

- State-of-the-art filtration technology
- Makes up to 460 lbs of half-dice ice in a day
- Ice storage of 120 lbs
- Programmable ice production
- Intelligent diagnostics for trouble-free operation
- Sanitary, touchless paddle dispensing
- Perfect for hospitality, food service, and healthcare industries



water up





Quench 992

Level up your ice dispensing game with the Quench 992! The Quench 992 produces up to 460 pounds of clean, clear ice in 24 hours while storing up to 120 pounds. The Quench 992's patented dispensing mechanism offers sanitary dispensing to meet the needs of the food service, hospitality, and healthcare industries. This commercial ice dispenser features programmable ice production and bin-level control with LED display for easy diagnostics. The Quench 992's compact size is ideal for low-clearance spaces or built-in applications.

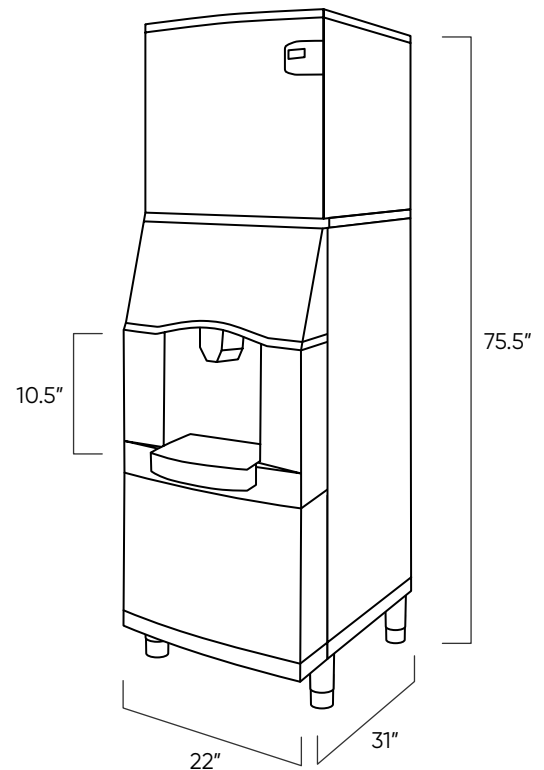


Freestanding Commercial Capacity Ice Dispenser

- Produces up to 460 lbs of half-dice ice a day
- Stores up to 120 lbs of ice
- Programmable ice production and bin level control with LED display
- State-of-the-art carbon or reverse osmosis filtration
- Luminice™ bacteria inhibitor
- Patented dispensing mechanism to meet sanitary requirements
- Intelligent diagnostics for trouble-free operation

Specifications

Dimensions	75.5" h x 22" w x 31" d
Dispensing Area	10.5"
Weight	301 lbs
Ice Output	460 lbs/24 hours
Ice Storage Capacity	120 lbs
Recommended Water Pressure	20-80 psi
Electrical Requirement	Dedicated 115V/20 amp breaker
Power Consumption	5.4 kW/100 lbs of ice production
Drain Requirement	Needs to be installed within 10 feet of a drain
Clearance	12" top, 12" sides, 5" back
Model Number	992



Quench products are certified by independent authorized 3rd party laboratories in accordance of appropriate industry standards. To find out more about which certifications your product may have, please contact us.