

# Quench Q6

## Bottlefree Water Cooler with Firewall®

- Bottlefree standard capacity water cooler
- Cold and hot filtered on-demand drinking water
- Push button dispensing with optional touchless sensor interface
- BioCote® antimicrobial surface protection technology
- Firewall® UV-C technology at the point of dispense for better water quality and system cleanliness



water up 





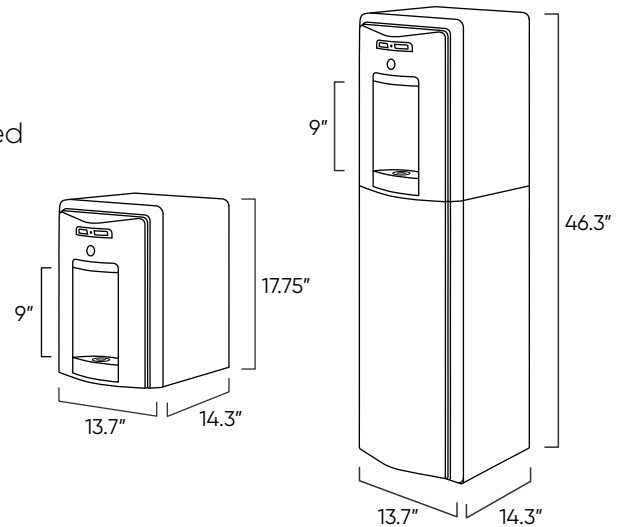
# Quench Q6

Elevate your water cooler with the Q6 with Firewall®! This aesthetically pleasing bottleless water cooler looks great in small breakrooms, offices, and waiting areas. The Quench Q6 offers clean, great-tasting hot and cold drinking water through touch button or optional touchless sensor activated dispensing. In addition to BioCote® antimicrobial surface protection to control microbial surface growth, the Quench Q6 features Firewall® UV-C technology at point of dispense to maintain water cleanliness, easing any worries of cross-contamination. The Quench Q6 is available as a compact freestanding model or a space-saving countertop machine.



## The Quench Q6 Features:

- State-of-the-art filtration to produce clean, great-tasting drinking water on-demand
- Dispenses an bottomless supply of cold and hot drinking water
- Push button dispensing with optional touchless sensor-activated interface available
- Large dispensing area for easy water bottle filling with generous drip tray capacity
- Firewall® UV-C purification system at the point of dispense to maintain water cleanliness
- BioCote® antimicrobial surface protection



## Specifications

### Quench Q6 Freestanding

Dimensions	46.3" h x 13.7" w x 14.3" d
Weight	58 lbs.
Dispensing Area Height	9"
Cold Tank Capacity	1.06 gal
Hot Tank Capacity	0.4 gal
Recommended Water Pressure	40 – 60 psi
Rated Voltage/Frequency	120V/60Hz
Model Number	Q6 FS

### Quench Q6 Countertop

Dimensions	17.75" h x 13.7" w x 14.3" d
Weight	42 lbs.
Dispensing Area Height	9"
Cold Tank Capacity	0.53 gal
Hot Tank Capacity	0.4 gal
Recommended Water Pressure	40 – 60 psi
Rated Voltage/Frequency	120V/60Hz
Model Number	Q6 CT

Quench products are certified by independent authorized 3rd party laboratories in accordance with appropriate industry standards. To find out more about which certifications your product may have, please contact us.