



# Quench 994

## High-Capacity Bin Ice Machine

- State-of-the-art filtration technology
- Produces up to 575 lbs of half-dice ice in a day
- Ice storage of 383 lbs
- Programmable ice production
- Intelligent diagnostics for trouble-free operation
- Space-saving design



water up 





# Quench 994

Level up your bin ice machine with the Quench 994! This space-saving bin ice machine delivers up to 575 pounds of half-dice ice a day and stores up to 383 pounds. The Quench 994 offers state-of-the-art diagnostic technology for dependable operation and ice production monitoring. This bin ice machine is ideal for low-clearance spaces or built-in applications.

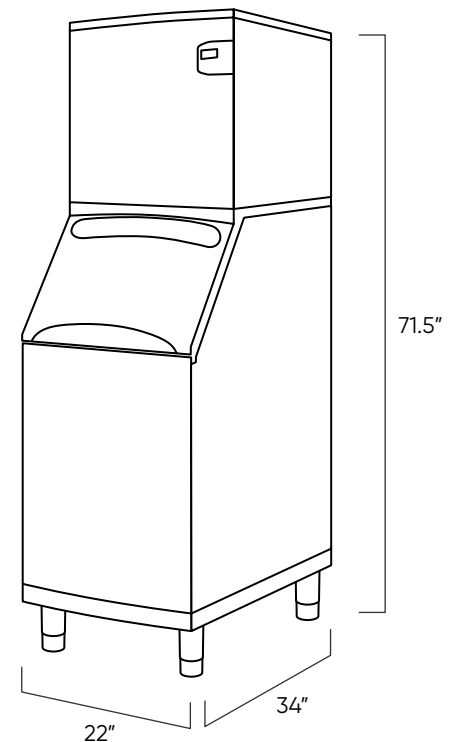


## High-Capacity Bin Ice Machine

- Produces up to 575 lbs of half-dice ice
- Ice storage of up to 383 lbs
- Programmable ice production and bin level control with LED display
- State-of-the-art carbon or reverse osmosis filtration
- Luminice™ bacteria inhibitor
- Intelligent diagnostics for trouble-free operation
- Stainless steel finish resists finger prints and dirt

## Specifications

Dimensions	71.5" h x 22" w x 34" d
Weight	253 lbs
Ice Output	575 lbs/24 hours
Ice Storage Capacity	383 lbs
Recommended Water Pressure	20-80 psi
Electrical Requirement	Dedicated 115V/20 amp breaker
Power Consumption	4.87 KW/100 lbs of ice production
Drain Requirement	Needs to be installed within 10 feet of a drain
Water Consumption	199 gal/100 lbs of ice production
Clearance	12" top, 12" sides, 5" back
Model Number	994



*Quench products are certified by independent authorized 3rd party laboratories in accordance of appropriate industry standards. To find out more about which certifications your product may have, please contact us.*